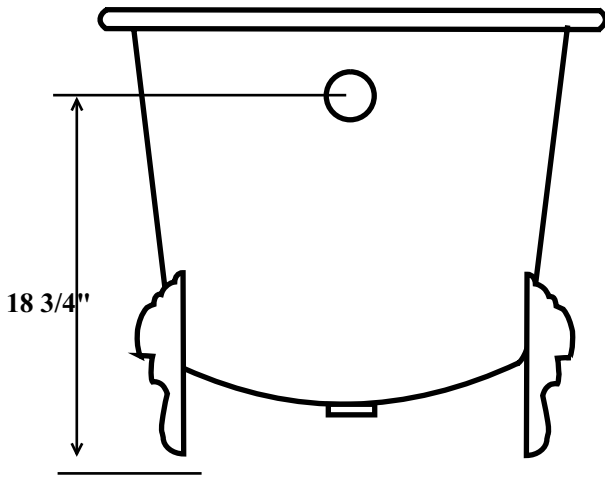


SUNRISE SPECIALTY CO.

SLIPPER TUB

Water Capacity 50 Gallons



#805 3 3/8" faucet drilling on rear deck

#815 No faucet drilling continuous rolled rim

#817 Flat area on rim, may be custom drilled

#885 Drilled 8" Center to Center

