

# SUNRISE SPECIALTY CO.

# DUAL BATH

Enameled Cast Iron Bath Tub

61"

856 - 2 holes @ 8cc

866 - flat area on rim for custom hole drill

876 - continuous rolled rim (floor-mtd faucets)

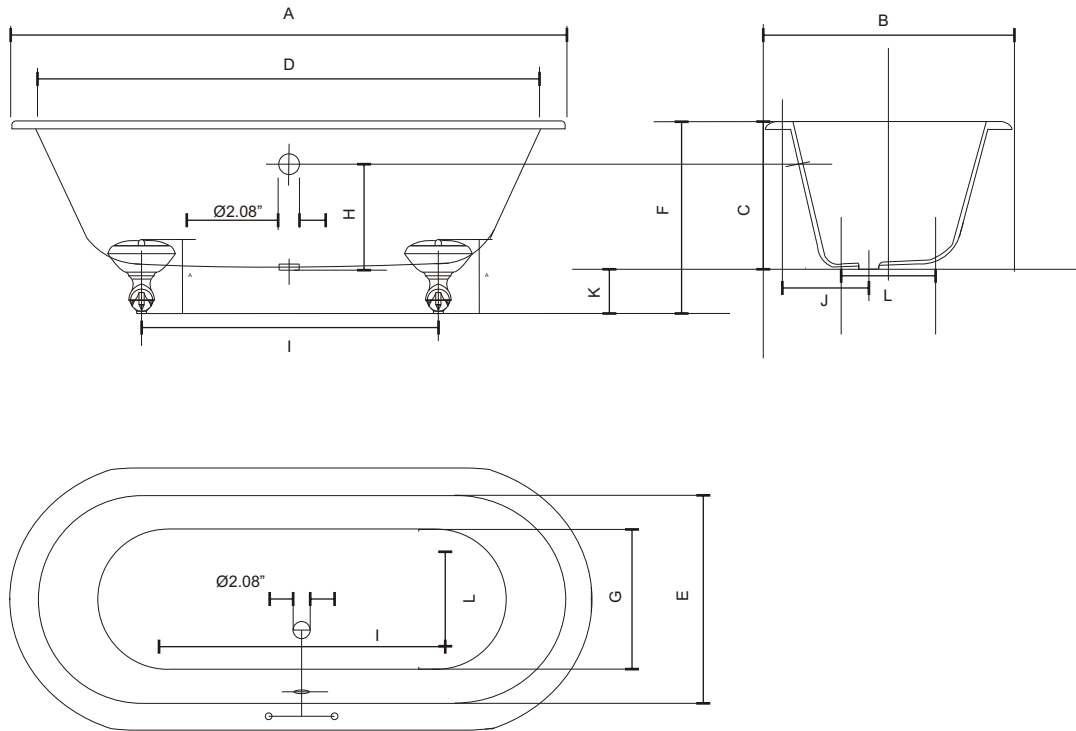
\*\*\*\*\*

68"

806 - 2 holes @ 8cc

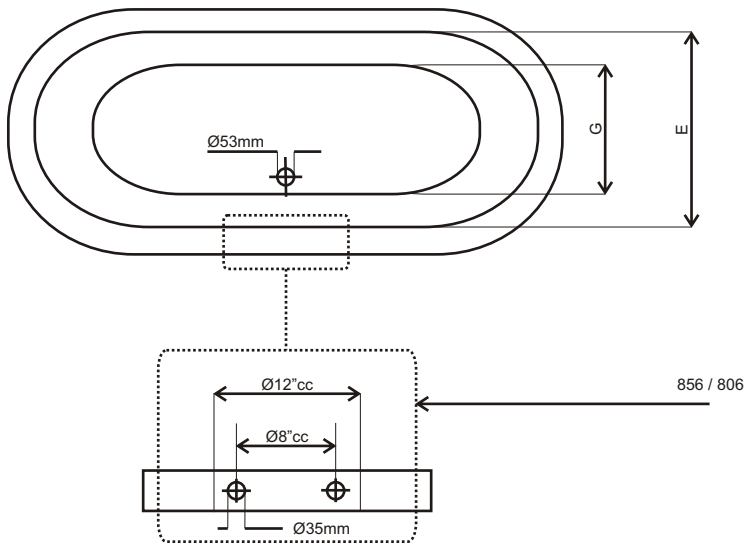
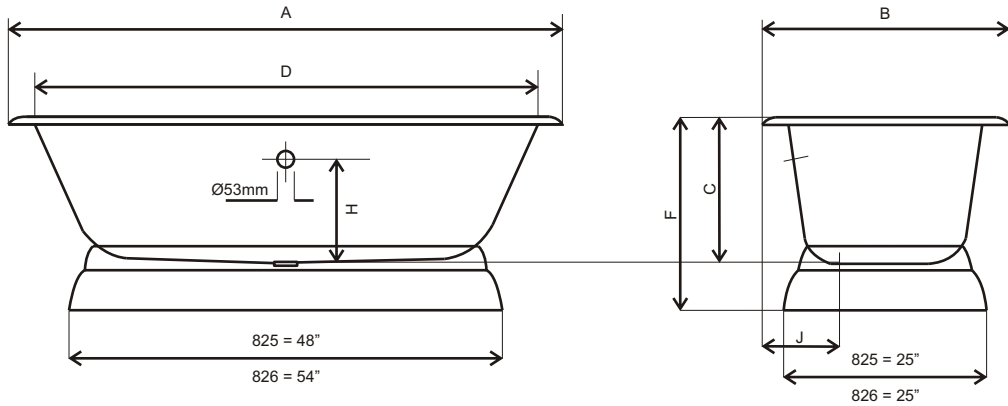
816 - flat area on rim for custom hole drill

846 - continuous rolled rim (floor-mtd faucets)

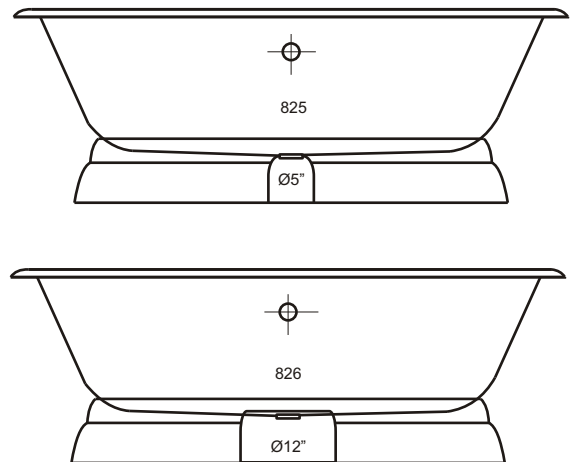


A	B	C	D	E	F	G	H	I	J	K	L	VOL	WGHT
61	30 1/2	18	54	24	23 1/4	17 1/2	14	33 1/4	10 1/2	5 1/4	11 1/4	45 GAL	253 LB
67	30 1/2	18	61	24	23 1/4	17 1/2	14	39 1/2	10 1/2	5 1/4	11 1/2	50 GAL	275 LB

# DUAL TUB PEDESTAL BASE



## Drain cut-out



DIMENSÕES (POLEGADAS) / DIMENSIONS (INCHES)												
REF	A	B	C	D	E	F	G	H	I	J	VOL.	PESO/WEIGHT
1540	1540	780	465	1376	620	583	450	365	-	275	170 Lts.	147 Kg
61	61"	30½"	18"	54"	24"	23"	17½"	14"	-	10½"	45 Gal	324 Lb
REF	A	B	C	D	E	F	G	H	I	J	VOL.	PESO/WEIGHT
1700	1700	780	465	1560	620	583	450	365	-	275	190 Lts.	166 Kg
67	67"	30½"	18"	61"	24"	23"	17½"	14"	-	10½"	50 Gal	365.5 Lb